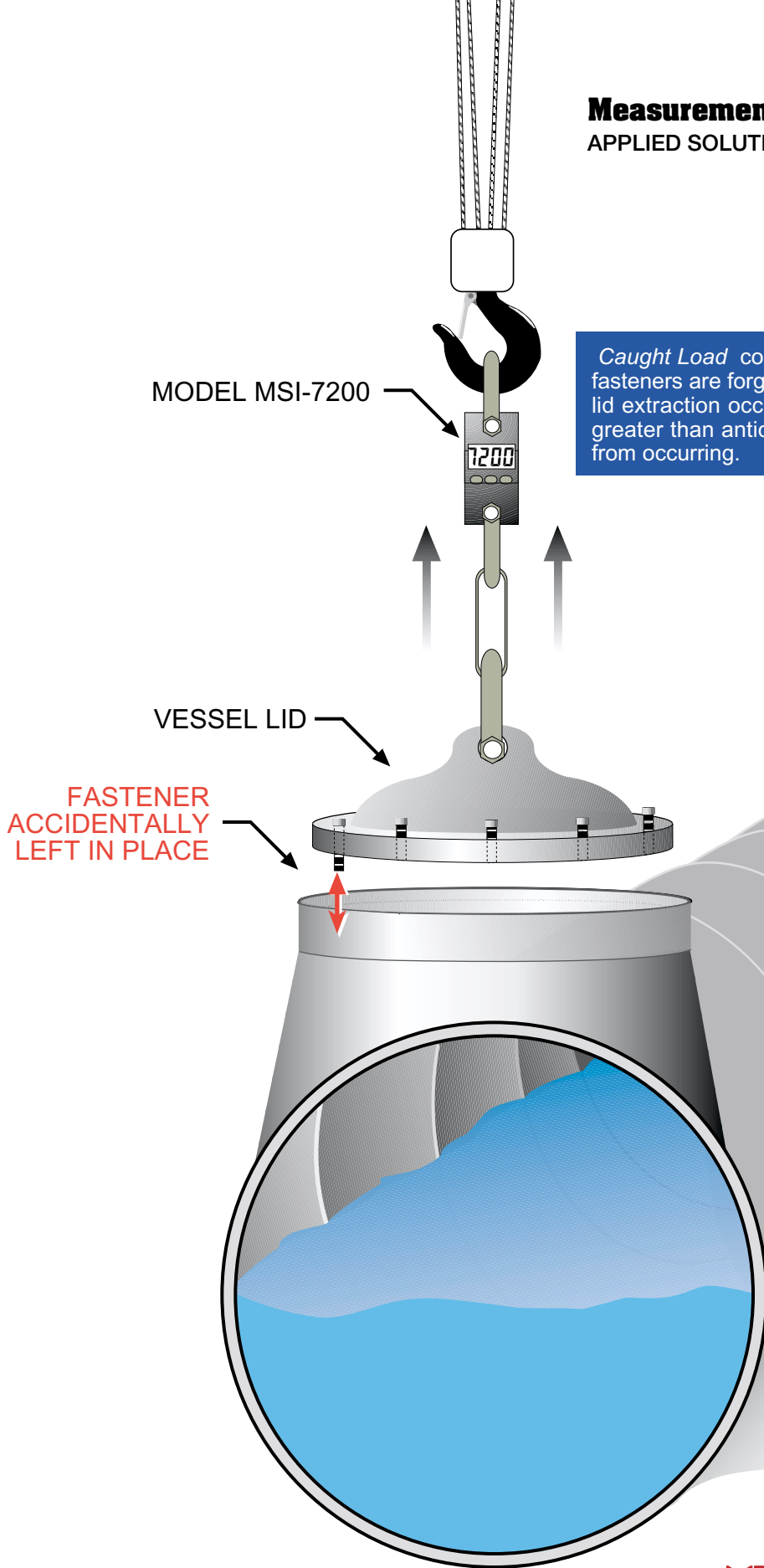


Measurement Systems International

APPLIED SOLUTIONS FOR CAUGHT LOAD CONDITIONS



Caught Load conditions can exist when the removal of fasteners are forgotten and/or a non-vertical valve/vessel lid extraction occurs. The Dyna-Link alerts operators of greater than anticipated load values to prevent damage from occurring.